

V200 / V300



The V200 and V300 turbine pan mixers are for the specialized mixing of:

- Wet and dry concrete
- Refractory materials
- Powders
- Plaster
- Shotcrete
- Foundry materials

Features:

- Heavy duty, robust design with spring loaded mixing arms and tools for extended wear life
- Pan floor and wall are lined with easily replaced wear segments.
- The three bladed sprung mixing star is driven anti-clockwise by a geared motor unit mounted below the pan and protected by a spill plate
- Pushbutton stop/start with safety grid and limit switch for automatic cut-out.
- The mixers are all supplied (pre-wired) with starter, overload and isolator switch
- Mixer discharge is self-cleaning
- Mixing star has inner wallscrapper (V200) and inner and outer wallscrapper (V300)

Tilting Loader Skip:

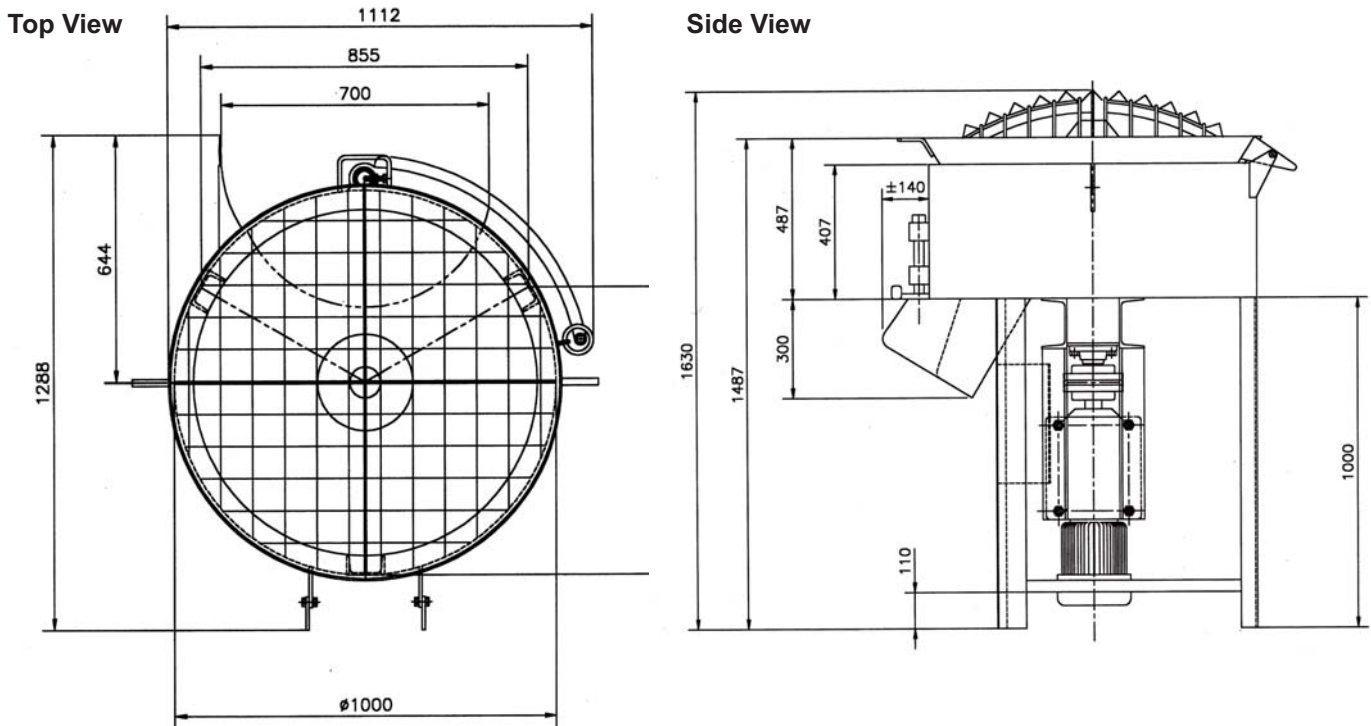
- V200: 180 litre capacity
- V300: 300 litre capacity
- Tilting type or bottom discharge for low dust emission
- 3kW winch drive with flanged electro-magnetic brake
- Rope drum with upper and lower limit switches
- Upper emergency limit switch and panel



**Tilting loader skip
(optional)**



Granite Street, Jet Park
Boksburg, South Africa
Tel: 086100-PMSA (086100-7672)
Tel: +27 (0) 11 397 3754
Fax: +27 (0) 11 397 4721
Website: www.panmixers.co.za
E-mail: sales@panmixers.co.za



Basic dimensional drawing for V200

Options:

- Loading skip (buckets) for raised applications
- Electro-pneumatic discharge gate
- Cement weighing and batching
- Right angle drive for low discharge
- Diesel engine instead of electric
- Mobile fitted with pneumatic tyres for site work (V200 only)
- Pan mixer can be supplied complete with bin or weigh belt batching plant (manual or automatic control)

Machine Specifications	V200	V300
Pan Diameter	1 000mm	1 300mm
Pan Wall Height	460mm	500mm
Dry Filling Capacity	180 litres	300 litres
Wet Mixing Capacity	135 litres	225 litres
Discharge Height	1 000mm	1 200mm
Electric Drive	3kW	7,5kW
Diesel, air cooled	4kW	9kW
Air motor	4,5 kW	
	Radial segment bottom discharge, hand-lever or pneumatic cylinder operated	Radial segment bottom discharge, hand-lever or pneumatic cylinder operated

NOTE: All equipment is manufactured by PMSA in South Africa. All work carries a 6-month guarantee against faulty material and workmanship. Our professional and experienced technical support team will provide you with the assistance you require; a comprehensive spare parts facility enables immediate dispatch worldwide.